



## M/T “DÜZGİT DIGNITY” 8488 DWT

### IMO-2 CHEMICAL / OIL TANKER

#### Vessel Particulars

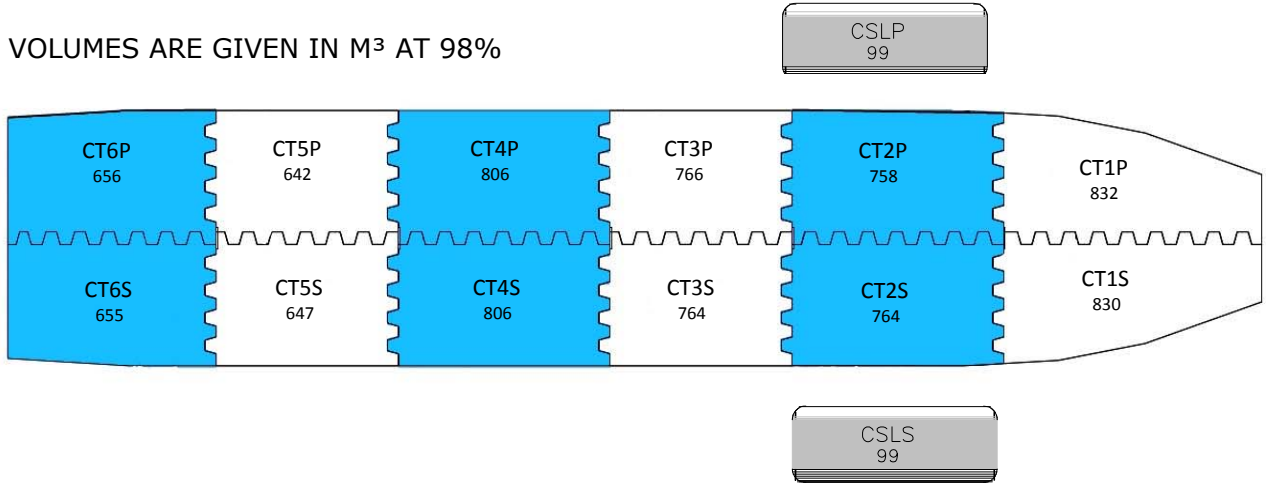
Classification	: BV – IMO2, ICE-IA, AVM – APS, MON-SHAFT
Built	: <b>May-2014</b>
Builder	: Düzgít Yalova Shipyard, Turkey – (NB06)
Flag	: TURKEY
Port of Registry	: İstanbul
IMO Nr.	: 9581019
Service Speed @%93 MCR	: abt. 14.0 knots
Consumption @%93MCR	: abt. 15.5 t/day
Economic Speed @%75 MCR	: abt. 12.5 knots
Consumption @%75MCR	: abt. 13.0 t/day
Stern Line	: 1xDN 200 & 1xDN150 with 1xDN125 VR
Deck Crane Capacity	: rad. 16,0 m / SWL : 5,0 t.
Communication	: Sat, GSM, Fax, Tlx, e-mail
Main Engine	: MaK 8M32 / 3840 kW
Bow Thruster	: Schöttel - 400 kW Electric Driven
Main Generators	: 3 x Lindenberg 590 kWe 1800 rpm
Emergency Generators	: 1 x Lindenberg 150 kWe 1800 rpm
Shaft Alternator	: 1 x 1250 kWe

#### Main Dimensions

Summer Deadweight	: <b>8,488</b> mton
Summer Draught (SW)	: 7.24 m
Length Overall	: 124.12 m
Moulded Breadth	: 17.20 m
Ballast Capacity	: 3,605 m <sup>3</sup>
Cargo Capacity (98%) Exc. Slop	: 8,926 m <sup>3</sup>
Cargo Capacity (98%) Inc. Slop	: 9,124 m <sup>3</sup>
Integrated cargo tanks	: 12 cargo
Deck Cylindrical cargo tanks	: 2 slop
Segregations for cargo lines	: 5 (CT) + 2 (6P/6S) 1 (Slops)
Gross Tonnage	: 5770
Net Tonnage	: 2620
SBT Tonnage	: 3605
Light Weight	: 3,161 t
Distance KTM	: 34.02 m
Parallel Body Length (SDWT)	: 44.84 m
Air draft (summer)	: 27.28 m

# M/T "DÜZGİT DIGNITY" 8400 DWT

ALL VOLUMES ARE GIVEN IN M<sup>3</sup> AT 98%



Cargo Tanks						
Tank no	m3 98%	Lining	Pump Capacity	Max SG	IMO	Max Heat Capacity
CT1P	832	Marine Line	250 m <sup>3</sup> /h	1.54	2	80 deg C
CT1S	830	Marine Line	250 m <sup>3</sup> /h	1.54	2	80 deg C
CT2P	758	Marine Line	250 m <sup>3</sup> /h	1.54	2	80 deg C
CT2S	764	Marine Line	250 m <sup>3</sup> /h	1.54	2	80 deg C
CT3P	766	Marine Line	250 m <sup>3</sup> /h	1.54	2	80 deg C
CT3S	764	Marine Line	250 m <sup>3</sup> /h	1.54	2	80 deg C
CT4P	806	Marine Line	250 m <sup>3</sup> /h	1.54	2	80 deg C
CT4S	806	Marine Line	250 m <sup>3</sup> /h	1.54	2	80 deg C
CT5P	642	Marine Line	250 m <sup>3</sup> /h	1.54	2	80 deg C
CT5S	647	Marine Line	250 m <sup>3</sup> /h	1.54	2	80 deg C
CT6P	656	Marine Line	250 m <sup>3</sup> /h	1.54	2	80 deg C
CT6S	655	Marine Line	250 m <sup>3</sup> /h	1.54	2	80 deg C
CSLP	99	Marine Line	100 m <sup>3</sup> /h	1.54	2	80 deg C
CSLS	99	Marine Line	100 m <sup>3</sup> /h	1.54	2	80 deg C
<b>Total</b>	<b>9124</b>	<b>Marine Line</b>				

## Manifold

Distance Bow-Center manifold	: 66.43 m
Distance Stern-Center manifold	: 57.67 m
Inboard from ships side	: 2.50 m
Height above deck	: 2.46 m
Height above waterline (loaded)	: 4.43 m
Height above waterline (in ballast)	: 6.84 m
Highest allowable pressure	: 16 bar
Manifold flanges	: 4"-6"- 8" - 12" ANSI
Segregation for Cargo Lines	: 5 (CT) + 2 (CT) 1 (SLP)

## Nitrogen System

Nitrogen plant producing 1x750 Nm<sup>3</sup>/h

## Cargo Pumps

Elec. driven deepwell pumps in all cargo tanks  
Pumping rate is each 250 m<sup>3</sup>/h 110 mlc.  
Sp. Gravity: 0,8 Viscosity : 1,0 cst

## Cargo Rating

Total discharging rate 1500 m<sup>3</sup>/h  
Total loading rate 1650 m<sup>3</sup>/h

## Cargo Heating

316L Stainless steel heating coils (Double Loop)  
Heating media is HOT-WATER (Fosfa)

## Ballast System

Elec. driven centrifugal pumps 2 x 300m<sup>3</sup>/h = 600m<sup>3</sup>/h



**DÜZGİT GROUP**  
**DÜZGİT GEMİ İNŞA**  
**SANAYİ A.Ş.**

Eski Büyükdere Caddesi, Park Plaza  
No: 14, Kat: 11, 34467-Maslak  
Sarıyer, İstanbul - TURKEY

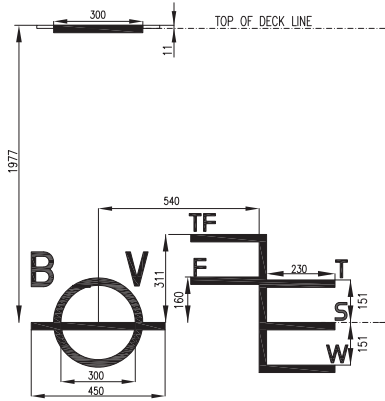
Phone : +90 212 345-0530  
Fax : +90 212 345-0539  
e-mail : chartering@dsmship.com.tr

# mt "DUZGIT DIGNITY"

8488 dwt IMO-2 type Chm & Oil Tanker

## DWT - SCALE

SEASON		FREEBOARD(m)	DRAFT(B.L.m)	DEADWEIGHT	DISPLACEMENT
TROPICAL FRESH	TF	1.667	7.547	8762.213	11923.598
FRESH WATER	F	1.818	7.396	8489.200	11650.585
TROPICAL	T	1.826	7.388	8765.694	11927.079
SUMMER	S	1.977	7.237	8487.978	11649.363
WINTER	W	2.128	7.086	7934.949	11096.334



Draft Molded (m)	Deadweight (t.)		Displacement Extreme (t.)		Tons per 1 cm. Immersion (t./cm)		Moment to Change 1cm. Trim (t.m./cm)	
	1.000t/m	1.025t/m	1.000t/m	1.025t/m	1.000t/m	1.025t/m	1.000t/m	1.025t/m
9.2								
9.1								
9.0		12000						
8.9								
8.8								
8.7	11000		14000		19000	19500		170.000
8.6		11000		14000				
8.5								
8.4								
8.3	10000							
8.2								
8.1		10000			18500	19000		160.000
8.0								
7.9							160.000	
7.8	9000							
7.7								
7.6			12000					
7.5								
7.4		9000		12000	18000	18500		150.000
7.3								
7.2								
7.1	8000							
7.0		8000			17500	18000		140.000
6.9								
6.8								
6.7								
6.6	7000							
6.5		7000	10000		17000	17500		130.000
6.4								
6.3								
6.2								
6.1								
6.0	6000							
5.9								
5.8		6000			16500	17000		120.000
5.7								
5.6								
5.5								
5.4	5000							
5.3		5000	8000					
5.2				8000				
5.1								
5.0								
4.9								
4.8	4000							
4.7								
4.6		4000						
4.5								
4.4								
4.3								
4.2					16000			
4.1			6000					
4.0				6000				
3.9								
3.8								
3.7								
3.6								
3.5	2000							
3.4		2000						
3.3								
3.2								
3.1								
3.0								
2.9								
2.8			4000					
2.7				4000		16000		
2.6								
2.5								100.000
2.4					15400			
2.3								
2.2					15350	15750		
2.1					15300	15700	98.000	96.000
2.0					15250	15650		
1.9					15200	15600		
1.8					15150	15550	96.000	94.000
1.7								
1.6					15000		94.000	92.000
1.5					14900	15300		90.000
1.4			2000	2000	14800	15200	90.000	88.000
1.3					14700	15100		
1.2					14600	15000	88.000	86.000
1.1					14500	14900	86.000	84.000
1.0					14400	14800		