



M/T “DÜZGİT ENDEAVOUR” 15995 DWT

IMO2 CHEMICAL / OIL TANKER

Vessel Particulars

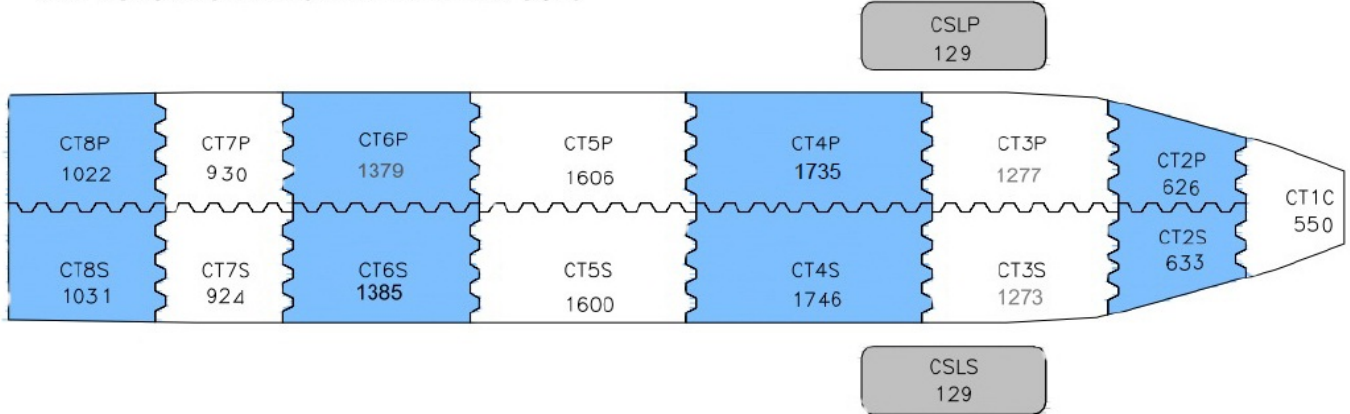
Classification	: BV – IMO2, ICE-IA, CLEANSHIP, MON-SHAFT
Built	: 2013
Builder	: Düzgıt Yalova Shipyard, Turkey - (NB05)
Flag	: TURKEY
Port of Registry	: İstanbul
IMO Nr.	: 9581007
Service Speed @%85 MCR	: abt. 13.5 knots
Consumption @%85 MCR	: abt. 17.0 t/day
Economic Speed @%75 MCR	: abt. 13.0 knots
Consumption @%75MCR	: abt. 14.5 t/day
Stern Line	: Yes (1xDN200, 1xDN150 + 1xDN125 VR)
Deck Crane Capacity	: rad. 16 mt / SWL : 5 t
Communication	: Sat, GSM, Fax, Tlx, e-mail
Main Engine	: MAN 9L32-40 / 4500 kW
Bow Thruster	: HRP - 500 kW Electric Driven
Main Generators	: 4 x MAN 550 kW, 1800 rpm
Emergency Generators	: 1 x MAN 200 kW, 1800 rpm
Shaft Alternator	: 1 x 1650 kW

Main Dimensions

Summer Deadweight	: 15,995 mt
Summer Draught (SW)	: 8.62 m
Length Overall	: 156.10 m
Moulded Breadth	: 21.70 m
Ballast Capacity	: 6350 m ³
Cargo Capacity (98%) Exc. Slop	: abt. 17,717 m ³
Cargo Capacity (98%) Inc. Slop	: abt. 17,975 m ³
Integrated cargo tanks	: 15 cargo
Deck Cylindrical cargo tanks	: 2 slop
Segregations for cargo lines	: 6 (CT) + 2 (1P/1S) +1 (CT) + 1 (Slops)
Gross Tonnage	: 10276
Net Tonnage	: 5238
SBT Tonnage	: abt. 8214
Light Weight	: 5,041 mt
Distance KTM	: 37,51 m
Parallel Body Length (SDWT)	: 70,33 m
Air draft (summer)	: 28,25 m

M/T "DÜZGİT ENDEAVOUR" 15995 DWT

ALL VOLUMES ARE GIVEN IN M³ AT 98%



Cargo Tanks							
Tank no	m3 98%	Lining	Pump Capacity	(*) Max SG	(**) Max SG	IMO	Max Heat Capacity
CT1C	550	Marine Line	300 m ³ /h	1.54	1.025	2	80 deg C
CT2P	626	Marine Line	300 m ³ /h	1.54	1.025	2	80 deg C
CT2S	633	Marine Line	300 m ³ /h	1.54	1.025	2	80 deg C
CT3P	1277	Marine Line	300 m ³ /h	1.54	1.025	2	80 deg C
CT3S	1273	Marine Line	300 m ³ /h	1.54	1.025	2	80 deg C
CT4P	1735	Marine Line	300 m ³ /h	1.54	1.025	2	80 deg C
CT4S	1746	Marine Line	300 m ³ /h	1.54	1.025	2	80 deg C
CT5P	1606	Marine Line	300 m ³ /h	1.54	1.025	2	80 deg C
CT5S	1600	Marine Line	300 m ³ /h	1.54	1.025	2	80 deg C
CT6P	1379	Marine Line	300 m ³ /h	1.54	1.025	2	80 deg C
CT6S	1385	Marine Line	300 m ³ /h	1.54	1.025	2	80 deg C
CT7P	930	Marine Line	300 m ³ /h	1.54	1.025	2	80 deg C
CT7S	924	Marine Line	300 m ³ /h	1.54	1.025	2	80 deg C
CT8P	1022	Marine Line	300 m ³ /h	1.54	1.025	2	80 deg C
CT8S	1031	Marine Line	300 m ³ /h	1.54	1.025	2	80 deg C
CSLP	129	Marine Line	100 m ³ /h	1.54	1.54	2	80 deg C
CSLS	129	Marine Line	100 m ³ /h	1.54	1.54	2	80 deg C
Total	17975	Marine Line					

(*) **Partial loading S.G. is 1,54t/m³ for sounding depth is to be max 6,7m in each Cargo tank.**

(**) **Homogeneous loading S.G. is 1,025/m³ without any limitations for all Cargo tank.**

Manifold

Distance Bow-Center manifold	: 73.05 m
Distance Stern-Center manifold	: 81.95 m
Inboard from ships side	: 4.60 m
Height above deck	: 2.04 m
Height above waterline (loaded)	: 4.91 m
Height above waterline (in ballast)	: 7.18 m
Highest allowable pressure	: 16 bar
Manifold flanges	: 4"-5"-6"- 8" - 14" ANSI
Segregation for Cargo Lines	: 6 (CT) + 2 (1P/1S) +1 (CT)+ 1 (Slops)

Nitrogen System

With bottles

IGS System

IGS plant producing 1x1750 Nm³/h

Cargo Pumps

Framo Hyd. Drive deepwell pumps in all cargo tanks
14 x 300 cbm/h Hyd.Driven Deepwell Pumps
1 x 220 cbm/h Hyd.Driven Deepwell Pump
2 x 70 cbm/h Hyd.Driven Deepwell Pumps
1 x 70 cbm/h Hyd.Driven Portable Pump
Sp. Gravity: 0,8 Viscosity: 1,0 cst

Cargo Rating

Total discharging rate 1800 m³/h
Total loading rate 1800 m³/h

Cargo Heating

14 pcs deck heaters + 1 pc heating coils (316L StSt)
Heating Media is HOT-WATER (Fosfa)

Ballast System

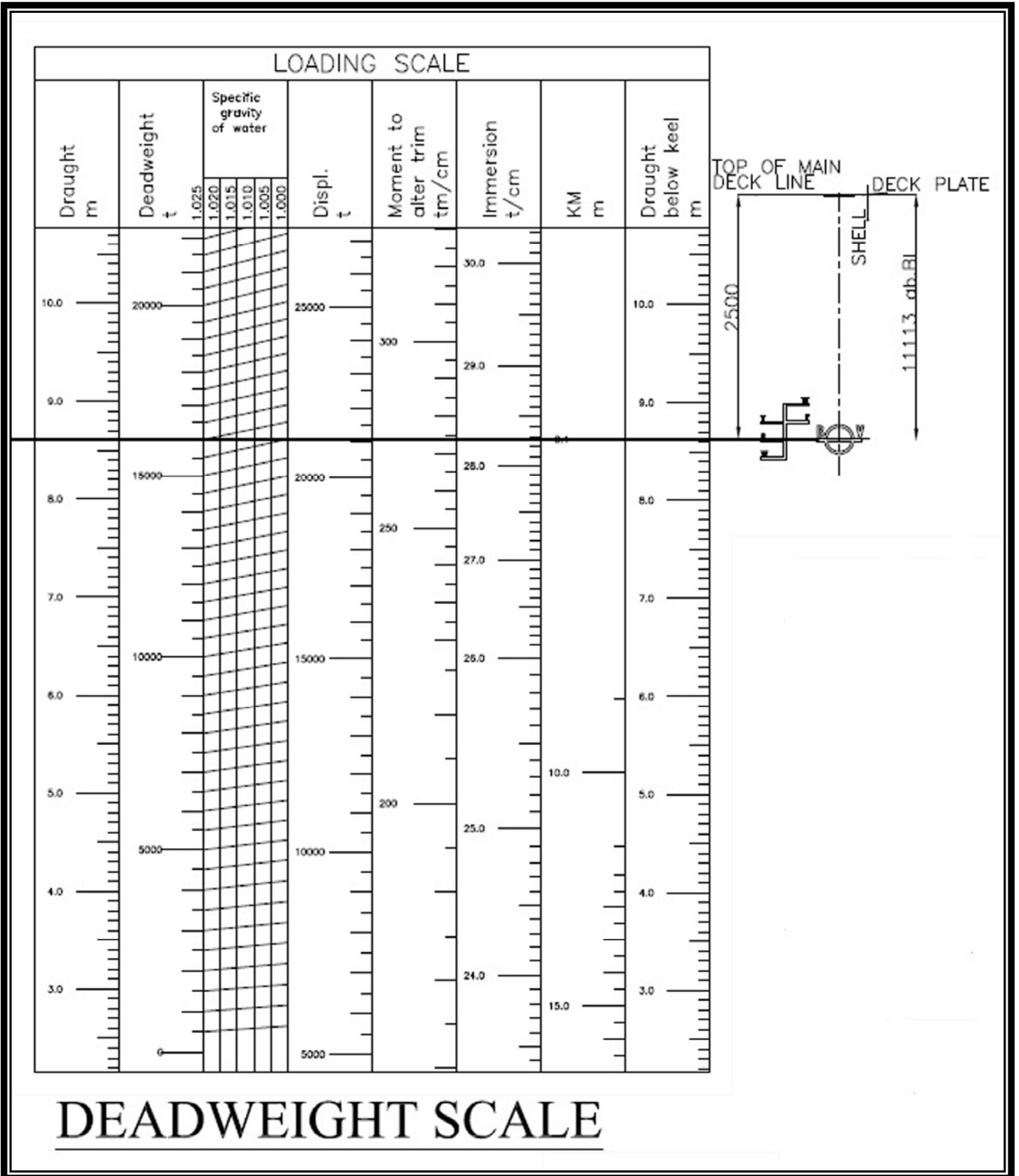
Hyd. driven centrifugal pumps 2 x 550m³/h = 1100 m³/h



DÜZGİT GROUP
DÜZGİT GEMİ İNŞA
SANAYİ A.Ş.

Eski Büyükdere Caddesi, Park Plaza
No: 14, Kat : 11, 34467-Maslak
Sarıyer, İstanbul - TURKEY

Phone : +90 212 345-0530
Fax : +90 212 345-0539
e-mail : chartering@dsmsip.com.tr



DÜZGİT GROUP
DÜZGİT GEMİ İNŞA
SANAYİ A.Ş.

Eski Büyükdere Caddesi, Park Plaza
 No: 14, Kat : 11, 34467-Maslak
 Sarıyer, İstanbul - TURKEY

Phone : +90 212 345-0530
 Fax : +90 212 345-0539
 e-mail : chartering@dsmship.com.tr